



*Designed to last beautifully.™*

TRIM

MOULDING

DECK

**PORCH**

RAIL

PAVERS



# AZEK Porch Install Guide

Installation Guidelines .....	2
Tools Required.....	2
Installation Preparation.....	3
Fasteners.....	4
Expansion and Contraction .....	4
Installation Instructions.....	5-6
Perimeter Details.....	7
Stair Details .....	7
Care and Cleaning .....	7

## Installation Guidelines

AZEK Porch should be installed using the same good building principals used to install wood or composite porch and in accordance with the local building codes and the installation guidelines included below. AZEK Building Products Inc. accepts no liability or responsibility for the improper installation of this product. AZEK Porch may not be suitable for every application, such as not being suitable for waterproof applications, and it is the sole responsibility of the installer to be sure that AZEK Porch is fit for the intended use. Since all installations are unique, it is also the installer's responsibility to determine specific requirements for each AZEK Porch application. AZEK Building Products recommends that all applications be reviewed by a licensed architect, engineer or local building official before installation. If you have any questions or need further assistance, please call AZEK Customer Service at 1-877-ASK-AZEK, (877) 275-2935 or visit our website at [www.azek.com](http://www.azek.com).

### Tools Required

- AZEK Porch can be installed using the same tools you would use to install wood porch products.
- Corded or cordless driver/screw gun may be used.
- Self-feeding screw guns can be used. Check with manufacturer for compatibility with AZEK Porch.
- Miter saw with a fine-toothed, carbide tipped finish trim blade works well for cutting.
- As with installing a wood porch, safety glasses should be worn during the entire installation process.



## **STOP! Read this section before you start!**

Always make sure to visit [www.azek.com](http://www.azek.com) to ensure you are viewing the most current installation instructions, care and cleaning, technical information and more.

### **AZEK Porch**

AZEK does not recommend the use of rubber or vinyl products (welcome mats, planters, etc.) on porch boards. A reaction can occur that causes discoloration of the board under the rubber/vinyl product. This is a common caution for vinyl decking products. Do NOT nail AZEK Porch boards. Although AZEK Porch is cooler to the touch than many other porch boards in similar colors, all porch products will get hot in the sun. Additionally, the darker the porch color, the hotter it will feel.

### **Walking Surface and Grain Pattern**

AZEK Porch boards must be installed grain side up.

### **Static Electricity**

Static build-up is a natural occurring phenomenon that can occur with many plastic products including PVC Porch. It could occur with AZEK Porch under the right environmental conditions.

### **Cantilevering**

For best results, don't cantilever over 1/2".

### **Routing**

AZEK Porch/Rim Joist Covers/Riser should not be routed.

### **Color and Painting**

Color variation is purely aesthetic and does not or will not affect the performance of the product. Depending on environmental conditions, AZEK Porch colors may appear to lighten over time as part of the natural weathering process. Painting is not recommended for AZEK Porch.

### **Note**

AZEK Porch is NOT intended for use as columns, support posts, beams, joist stringers, guard railing or other primary load-bearing members. AZEK must be supported by a code-compliant substructure. While AZEK Porch products are great for re-planking (removing old porch surface boards and installing AZEK on a code-compliant substructure), AZEK Porch boards CANNOT be installed on top of an existing porch. AZEK Porch is not intended to be waterproof and should not be used in any waterproof application. Caulks, adhesives or other similar products should not be used in the tongue and groove areas of AZEK Porch.

**Failure to install AZEK Porch products in accordance with applicable building codes and this Installation Guide may lead to personal injury, affect porch/deck system performance and void the product warranty.**

**Extreme Heat Warning**

Be aware of excessive heat on the surface of AZEK products from external sources, such as but not limited to, fire or reflection of sunlight from energy-efficient window products. Low-emissivity (Low-E) glass can potentially harm AZEK products. Low-E glass is designed to prevent passive heat gain within a structure and can cause unusual heat build-up on exterior surfaces. This extreme elevation of surface temperatures, which exceeds that of normal exposure, can possibly cause AZEK products to melt, sag, warp, discolor, increase expansion/contraction, and accelerate weathering.

Current or potential AZEK customers that have concerns about possible damage by Low-E glass should contact the manufacturer of the product which contains Low-E glass for a solution to reduce or eliminate the effects of reflected sunlight.

**Excessive Construction Debris**

It is important during construction, the deck's surface stay clear from excessive build-up of dirt, sand, and dust from tile, concrete, landscape blocks, or any other masonry products. If these materials are not removed immediately, the deck surface will become difficult to clean and can potentially damage the deck's surface finish.

Do not use AZEK Porch as a work surface.

If a build-up does occur please refer to the Care and Cleaning section in AZEK's installation guide or website, AZEK.com.

**Installation Preparation**

Follow these guidelines for best porch installation:

- *Avoid storing AZEK Porch in areas of excessive heat*

**Joists should be sloped at 1/4" per foot away from the house to facilitate drainage.**

- Prior to installation, make sure joists are structurally sound, free of nails and spaced at a maximum of 16" center to center.
- For new construction, space joists at 16" on center maximum and slope the joists away from the house at 1/4" per foot.
- If installing porch plank at 45° angle, space joists at 12" on center.
- AZEK Porch has a maximum span of 16" on center.
- Ensure that all joists are crowned correctly and that all joists are level across the top as AZEK Porch will conform to the surface contour of the substructure.
- Be sure to install sufficient wood blocking below areas where railing posts will be installed.
- Provide proper structural support below AZEK Porch where load bearing columns are present.
- Items related to stair construction, structural framing or any other general construction questions should be reviewed with the local code authority, engineer, or architect.
- All porch framing and substructure should be securely attached to ground footings and/or building structure. No floating substructures should be used.

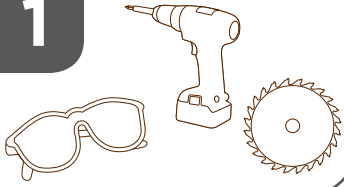
### Fasteners

- Listed are several suggested fastening methods. Additional fastening methods may exist for AZEK Porch.
- Minimum #7 x 2" 305 stainless steel trim head screw with #17 drill point.
- When using a pneumatic flooring nailer, we suggest using barbed/serrated 2" stainless steel cleat "T" nails or "L" cleats.
- For salt water coastal applications, we suggest using the above minimum fastener requirements in 316 stainless steel fasteners.
- Please contact fastener manufacturer to ensure availability, compatibility, and proper use with AZEK Porch.

### Expansion and Contraction

- When fastened properly, AZEK Porch will demonstrate minimal changes due to expansion and contraction. The expansion and contraction encountered may result in slight gaps which might be noticed at the ends of boards or in splice joints. Best practice is to cut and fasten AZEK Porch boards as soon after cutting as possible.
- Install the boards together tightly at splices or miters.
- Be sure to fasten ends of boards, splices, or abutments to building or structure securely into framing using a screw which is positioned within 1/2" of each board end or joint.
- Expansion and contraction are most significant where extreme temperature change may exist.
- For best results, stagger splices and miters across the porch surface so that all splices and miters do not break on the same joist.
- To further minimize expansion and contraction, proper ventilation and air flow should be considered.

1

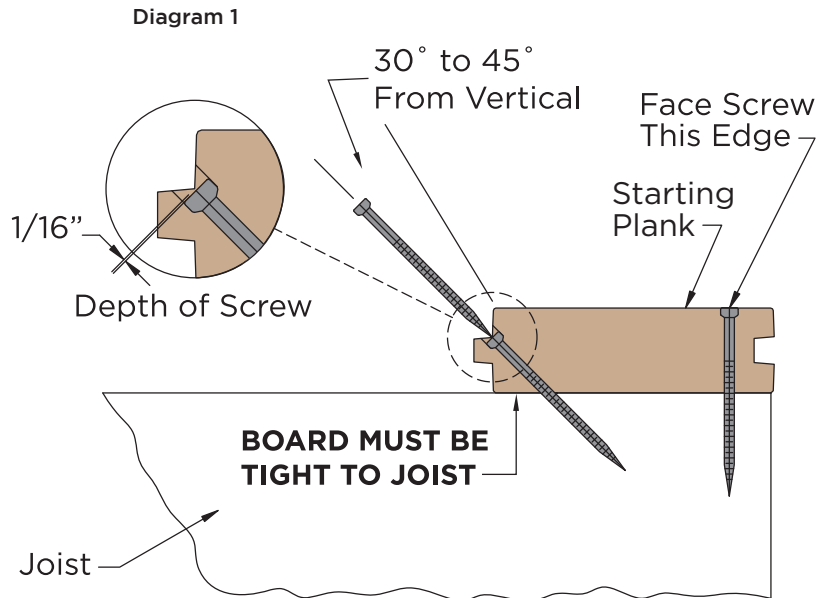


### INSTALL THE STARTING BOARD

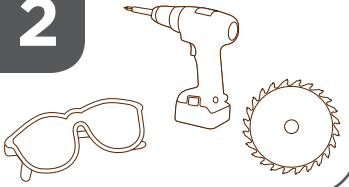
- AZEK Porch is one-sided with the grain side up for the walking surface.
- Install starting board with grooved edge against the house or on the outside edge of the porch if the boards will run perpendicular to the house.
- Attach the starting board by first installing fasteners down through the board at the edge nearest the groove.
- Then attach at each joist by driving a fastener through the tongue at the approximate angle shown in Diagram 1.
- Fasteners should seat approximately 1/16" into the surface of the product above the tongue as shown to allow for complete insertion of the next board.



**AZEK Porch must be fastened tight to joist. If there are variations in framing, shims may be required.**



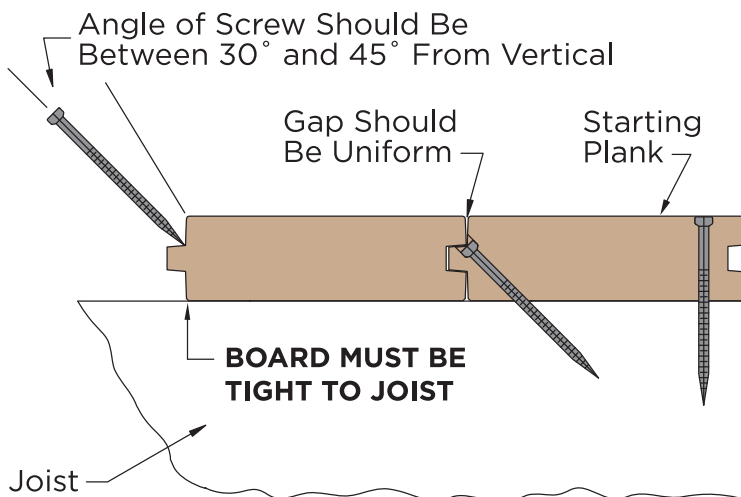
2



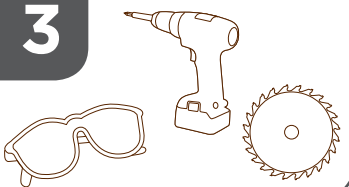
### INSTALLING THE NEXT BOARD

- Install the next board by inserting the grooved edge over the exposed tongue on the starting board. It may be necessary to apply light pressure to ensure the board is engaged completely to minimize irregularity in top seam.
- After board is fully engaged onto the starting board, drive fasteners through the tongue at each joist as shown in Diagram 2. Remember to countersink the fasteners slightly to provide necessary clearance when installing the next board.

Diagram 2



3



### INSTALLING THE REMAINING BOARDS

- Continue to add boards per step 2 until outer edge of porch is reached.
- Final board may require removal of tongue or rip cutting to a necessary width. Use a table saw or circular saw to accomplish this. Attach the last board by face fastening through the top or toe fasten along the outer edge.

## Perimeter Details Finishing Options

- Cover exposed edge with AZEK Trim or AZEK Deck rim joist cover. Refer to AZEK Trim or AZEK Deck Installation Guidelines for proper installation of trim or rim joist cover.
- Picture frame the entire porch using AZEK Deck 1" x 5 1/2" as a border. If this option is desired, layout porch accordingly to accommodate variance in spacing and height.
- Attach AZEK Moulding to exposed edge.

## Stair Details

- AZEK Porch may be used for stair treads. AZEK Deck 1" x 5 1/2" may also be used. AZEK Deck rim joist cover, AZEK XLM Riser or AZEK Trim can be used to trim out the risers.
- To meet AC174 requirement, install stair stringers at a maximum of 11" on center.
- Some codes may require specific framing or structural requirements. Check with your local code authorities pertaining to specific stair requirements.

## Care and Maintenance

To keep your AZEK Porch looking its best:

- It is recommended that you wash your porch periodically with ordinary household products to remove stains, dirt and debris.
- To remove rust stains, use a household cleaner such as Krud Kutter "the must for rust".
- Avoid the use of rubber-backed mats, tarps, pool toys, and other non-porous items on the porch for an extended period of time as these items may cause discoloration to the porch surface.
- Some products, such as sunblock and insect repellent, contain chemicals that may alter the surface of AZEK Porch. Check product labels and consult with the manufacturer as to product compatibility with plastic materials, such as AZEK Porch, prior to use on or near AZEK Porch.
- Do not get any PVC glue or similar product on the surface of an AZEK Porch as it may discolor and permanently damage the AZEK Porch surface.

For ice removal:

- Most products containing calcium chloride can be used without damage to the porch surface. These products may leave a white residue which can be cleaned using the cleaning guidelines above.
- Metal shovels may damage the surface of AZEK Porch and are not recommended for clearing snow from the porch surface.

(These guidelines may not cover every care and maintenance scenario encountered. For additional questions about care and maintenance, call (877) ASK-AZEK.)

## Warranty

AZEK Building Products are made exclusively from technologically advanced materials designed to provide years of enjoyment. AZEK Porch products are covered by a Limited Lifetime Warranty for residential applications and a 20-year Limited Warranty for commercial applications. The warranty covers defects resulting in blistering, peeling, flaking, cracking, splitting, cupping, rotting or structural defects from termites or fungal decay.



CPG Building Products, LLC  
888 North Keyser Avenue • Scranton, PA 18504  
[www.AZEK.com](http://www.AZEK.com) • (877) ASK-AZEK (877) 275-2935